

PRODUCT SUBMITTAL / SUBSTITUTION REQUEST

TO:

PROJECT:

SPECIFIED ITEM:

Section

Page

Paragraph

Description

PRODUCT SUBMITTAL / SUBSTITUTION REQUESTED:

The attached submittal package includes the product description, specifications, drawings, and performance data for use in the evaluation of the request.

SUBMITTED BY:

Name:

Signature:

Company:

Address:

Date:

Telephone:

Fax:

FOR USE BY THE ARCHITECT AND/OR ENGINEER

Approved **Approved as Noted** **Not Approved**

(If not approved, please briefly explain why the product was not accepted.)

By:

Date:

Remarks:

Snake+ Internally Threaded Screw Anchor

PRODUCT DESCRIPTION

The Snake+ anchor is an internally threaded, self-tapping screw anchor designed for performance in cracked and uncracked concrete. Suitable base materials include normal-weight concrete, structural sand-lightweight concrete and concrete over steel deck. The Snake+ screw anchor is installed into a drilled hole with a power tool and a Snake+ setting tool. After installation a steel element is threaded into the anchor body.

GENERAL APPLICATIONS AND USES

- Suspending conduit
- Cable trays and strut
- Pipe supports
- Fire sprinklers
- Interior applications/low level corrosion environment
- Tension zone areas
- Seismic and wind loading applications
- Suspended lighting

FEATURES AND BENEFITS

- + Designed for use in holes drilled with standard ANSI carbide drill bits
- + Anchor design allows for shallow embedment and mechanically interlocks with base material
- + Internally threaded anchor for easy adjustment and removability of threaded rod or bolt
- + Fast anchor installation with a powered impact wrench
- + Hammer not used for installation

APPROVALS AND LISTINGS

International Code Council, Evaluation Service (ICC-ES), ESR-2272
 Code compliant with the IBC, and IRC (see report for applicable code editions)
 Tested in accordance with ACI 355.2 and ICC-ES AC193 for use in structural concrete under the design provisions of ACI 318 (Strength Design method using Appendix D)
 Evaluated and qualified by an accredited independent testing laboratory for recognition in cracked and uncracked concrete including seismic and wind loading (Category 1 anchor)
 Evaluated and qualified by an accredited independent testing laboratory for reliability against brittle failure, e.g. hydrogen embrittlement
 Evaluated and qualified by an accredited independent testing laboratory for supplemental recognition in redundant fastening applications
 FM Global (Factory Mutual) - File No. 3024502 (see report for sizes)
www.approvalguide.com - Pipe hanger components for automatic sprinkler systems

GUIDE SPECIFICATIONS

CSI Divisions: 03151-Concrete Anchoring and 05090-Metal Fastenings.
 Internally threaded anchors shall be Snake+ as supplied by Powers Fasteners, Inc., Brewster, NY. Anchors shall be installed in accordance with published instructions and the Authority Having Jurisdiction.

MATERIAL SPECIFICATIONS

Anchor Component	Specification
Anchor body	Case hardened carbon steel
Plating	Zinc plating according to ASTM B 633, SC1, Type III (Fe/Zn 5) Minimum plating requirement for Mild Service Condition

SECTION CONTENTS	Page No.
General Information	1
Material Specifications	1
Installation Specifications	2
Installation Instructions.....	3
Performance Data	4
Ordering Information	9



Snake+

INTERNAL THREAD VERSION

Unified coarse thread (UNC)

ANCHOR MATERIALS

Zinc plated carbon steel body

ANCHOR SIZE RANGE (TYP.)

1/4", 3/8" and 1/2" diameters

SUITABLE BASE MATERIALS

Normal-weight concrete
 Structural sand-lightweight concrete
 Concrete over steel deck



This Product Available In



Powers Design Assist
 Real Time Anchor Design Software
www.powersdesignassist.com

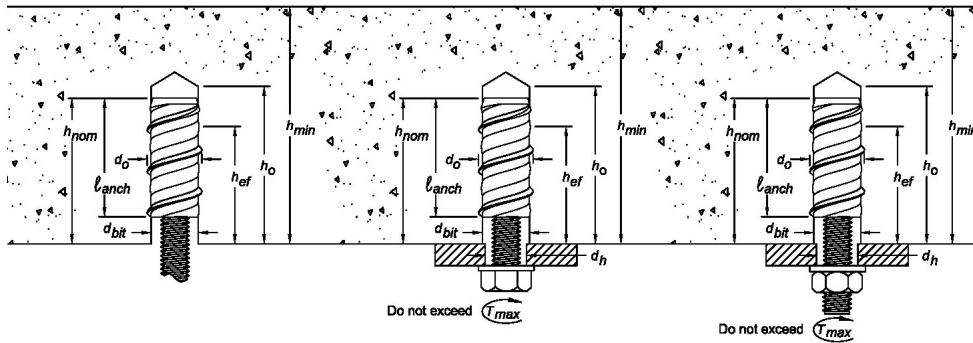
INSTALLATION SPECIFICATIONS

Installation Information for Snake+ Screw Anchor for Single Point Applications^{1,3}

Anchor Property / Setting Information	Notation	Units	Nominal Anchor Size		
			1/4"	3/8"	1/2"
Nominal outside anchor diameter	(d_o)	in. (mm)	0.375 (9.5)	0.500 (12.7)	0.750 (19.1)
Internal thread diameter (UNC)	d	in. (mm)	0.250 (6.4)	0.375 (9.5)	0.500 (12.7)
Drill bit diameter	d_{bit}	in.	3/8 ANSI	1/2 ANSI	3/4 ANSI
Minimum hole depth	h_o	in. (mm)	2 (51)	2 (51)	2-1/2 (64)
Minimum concrete member thickness ²	h_{min}	in. (mm)	3 (76)	4 (102)	4 (102)
Overall anchor length	ℓ_{anch}	in. (mm)	1-1/4 (32)	1-1/4 (32)	1-11/16 (43)
Nominal embedment depth	h_{nom}	in. (mm)	1-5/8 (41)	1-5/8 (41)	2-3/16 (55)
Effective embedment	h_{ef}	in. (mm)	Not Applicable	1.10 (28)	1.54 (39)
Minimum edge distance ²	c_{min}	in. (mm)	Not Applicable	3 (76)	4 (102)
Minimum spacing distance ²	s_{min}	in. (mm)	Not Applicable	3 (76)	4 (102)
Critical edge distance ²	c_{ac}	in. (mm)	Not Applicable	3 (76)	4 (102)
Maximum impact wrench power (torque)	T_{screw}	ft.-lb. (N-m)	120 (163)	345 (468)	345 (468)
Maximum tightening torque of steel insert element (threaded rod or bolt)	T_{max}	ft.-lb. (N-m)	4 (6)	14 (19)	36 (49)

1. The information presented in this table is to be used in conjunction with the design criteria of ACI 318 Appendix D.
2. For installations through the soffit of steel deck into concrete, see illustration detail. Anchors in the lower flute may be installed with a maximum 1-inch offset in either direction from center of the flute. In addition, anchors shall have an axial spacing along the flute equal to the greater of $3h_{ef}$ or 1.5 times the flute width.
3. The notation in parenthesis is for the 2009 IBC.

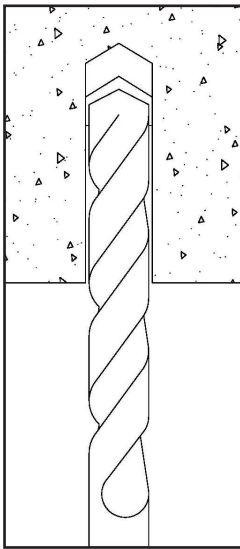
Dimensional Sketch for Snake+ Screw Anchor Installed with Steel Insert Element



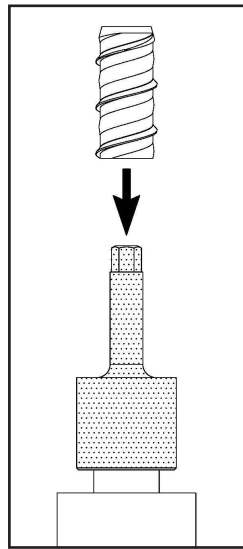
MECHANICAL ANCHORS

INSTALLATION INSTRUCTIONS

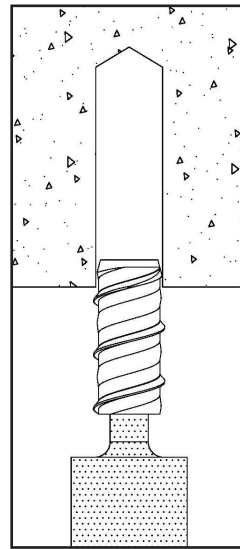
Installation Instructions for Snake+ Screw Anchor



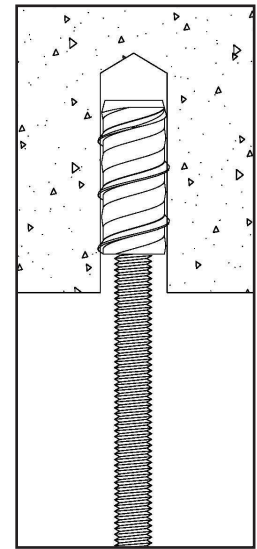
1.) Using the proper drill bit size, drill a hole into the base material to the required depth. The tolerances of the carbide drill bit used should meet the requirements of ANSI Standard B212.15.



2.) Select a powered impact wrench that does not exceed the maximum torque, T_{screw} , for the selected anchor diameter. Attach the Snake+ setting tool supplied by Powers Fasteners to the impact wrench. Mount the anchor onto the setting tool.

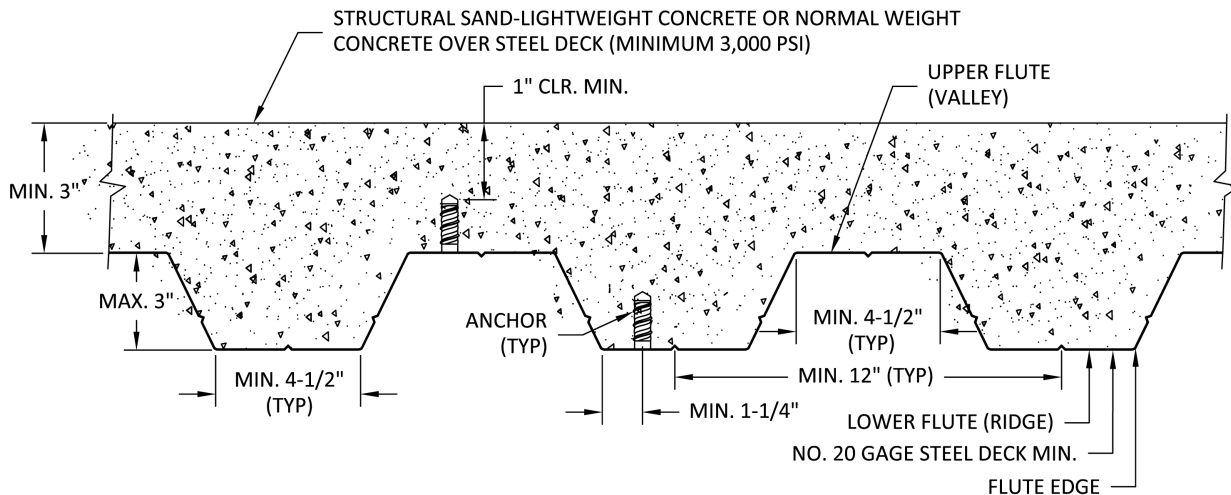


3.) Drive the anchor into the hole until the shoulder of the Snake+ setting tool comes into contact with the surface of the base material. Do not spin the setting tool off the anchor to disengage.



4.) Insert threaded rod or a bolt into the Snake+, taking care not to exceed the maximum specified tightening torque of the steel insert element, T_{max} . Minimum thread engagement should be at least one anchor diameter.

Installation Detail for Snake+ Installed Through Soffit of Steel Deck into Concrete



PERFORMANCE DATA

Tension Design Information (For use with load combinations taken from ACI 318 Section 9.2)^{1,2}

Design Characteristic	Notation	Units	Nominal Anchor Size	
			3/8 inch	1/2 inch
Anchor category	1, 2 or 3	-	1	1
Nominal embedment depth	h_{nom}	in. (mm)	1-5/8 (41)	2-3/16 (41)
STEEL STRENGTH IN TENSION⁴				
Minimum specified yield strength of steel insert element	f_y	ksi (N/mm ²)	ASTM A36	
		ksi (N/mm ²)	105.0 (724)	-
Minimum specified ultimate strength of steel insert element	f_{ut}^{11}	ksi (N/mm ²)	ASTM A36	
		ksi (N/mm ²)	125.0 (862)	-
Effective tensile stress area of steel insert element	A_{se}	in ² (mm ²)	0.0775 (50)	0.1419 (50)
Steel strength in tension	N_{sa}^{11}	lb (kN)	ASTM A36	
		lb (kN)	4,495 (20.0)	8,230 (37.0)
Reduction factor for steel strength ^{3,4}	ϕ	-	9,685 (43.1)	-
		-	0.65	
CONCRETE BREAKOUT STRENGTH IN TENSION⁸				
Effective embedment	h_{ef}	in. (mm)	1.10 (28)	1.54 (39)
Effectiveness factor for uncracked concrete ³	k_{uncr}	-	24	30
Effectiveness factor for cracked concrete ⁵	k_{cr}	-	17	24
Modification factor for cracked and uncracked concrete ⁵	$\psi_{c,N}^{11}$	-	Cracked concrete = 1.0 Uncracked concrete = 1.4	
Critical edge distance	c_{ac}	in. (mm)	3 (76)	4 (102)
Reduction factor for concrete breakout strength ³	ϕ	-	Condition B = 0.65	
PULLOUT STRENGTH IN TENSION (NON-SEISMIC APPLICATIONS)⁸				
Characteristic pullout strength, uncracked concrete (2,500 PSI) ⁶	$N_{p,uncr}$	lb (kN)	See note 7	See Note 7
Characteristic pullout strength, cracked concrete (2,500 PSI) ⁶	$N_{p,cr}$	lb (kN)	See note 7	See Note 7
Reduction factor for pullout strength ³	ϕ	-	Condition B = 0.65	
PULLOUT STRENGTH IN TENSION FOR SEISMIC APPLICATIONS⁸				
Characteristic pullout strength, seismic(2,500PSI) ^{6,9}	N_{eq}	lb (kN)	See note 7	See Note 7
Reduction factor for pullout strength seismic ³	ϕ	-	Condition B = 0.65	
PULLOUT STRENGTH IN TENSION FOR STRUCTURAL SAND-LIGHTWEIGHT AND NORMAL-WEIGHT CONCRETE OVER STEEL DECK				
Characteristic pullout strength, uncracked concrete over steel deck ^{6,10}	$N_{p,deck,uncr}$	lb (kN)	1,515 (6.7)	1,625 (7.2)
Characteristic pullout strength, cracked concrete over steel deck ^{6,10}	$N_{p,deck,cr}$	lb (kN)	1,075 (4.8)	1,300 (5.8)
Reduction factor for steel deck ³	ϕ	-	Condition B = 0.65	

- The data in this table is intended to be used with the design provisions of ACI 318 Appendix D; for anchors resisting seismic load combinations the additional requirements of Section D.3.3 shall apply.
- Installation must comply with published instructions and details.
- All values of ϕ were determined from the load combinations of ACI 318 Section 9.2. If the load combinations of ACI 318 Appendix C are used, the appropriate value of ϕ must be determined in accordance with ACI 318 Section D.4.5.
- It is assumed that the threaded rod or bolt used with the Snake+ anchor will be a steel element as defined by ACI 318 Section D.1. However, the anchor steel is classified as non-ductile in seismic tension calculations. Steel failure does not control in this condition.
- For all design cases use $\psi_{c,N} = 1.0$. Select appropriate effectiveness factor for cracked concrete (k_{cr}) or uncracked concrete (k_{uncr}).
- For all design cases use $\psi_{c,P} = 1.0$. For concrete compressive strength greater than 2,500 psi, $N_{pn} = (\text{Pullout strength value from table}) \times (\text{specified concrete compressive strength}/2500)^{0.5}$.
- Pullout strength will not control design of indicated anchors. Do not calculate pullout strength for indicated anchor size and embedment.
- Anchors are permitted to be used in structural sand-lightweight concrete provided that N_b and N_{pn} are multiplied by a factor of 0.60 (not required for steel deck).
- Reported values for characteristic pullout strength in tension for seismic applications are based on test results per ACI 355.2, Section 9.5.
- Values for $N_{p,deck}$ are for structural sand-lightweight concrete ($f'_{c,min} = 3,000$ psi) and additional lightweight concrete reduction factors need not be applied. In addition, evaluation for the concrete breakout capacity in accordance with ACI 318 Section D.5.2 is not required for anchors installed in the flute (soffit).
- For 2003 IBC, f_{uta} replaces f_{ut} ; N_{sa} replaces N_s ; $\psi_{c,N}$ replaces ψ_s ; and N_{eq} replaces $N_{p,seis}$.
- The notation in brackets is for the 2009 IBC.

MECHANICAL ANCHORS

PERFORMANCE DATA

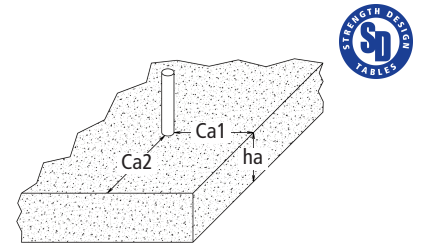
Shear Design Information (For use with load combinations taken from ACI 318 Section 9.2)^{1,2}

Design Characteristic	Notation	Units	Nominal Anchor Size	
			3/8 inch	1/2 inch
Anchor category	1, 2 or 3	-	1	1
Nominal embedment depth	h_{nom}	in. (mm)	1-5/8 (41)	2-3/16 (55)
STEEL STRENGTH IN SHEAR⁴				
Minimum specified yield strength of steel insert element	f_y	ksi (N/mm ²)	ASTM A36	36.0 (248)
		ksi (N/mm ²)	ASTM A193, Grade B7	105.0 (724)
Minimum specified ultimate strength of steel insert element	f_{ut}	ksi (N/mm ²)	ASTM A36	58.0 (400)
		ksi (N/mm ²)	ASTM A193, Grade B7	125.0 (862)
Effective tensile stress area of steel insert element	A_{se}	in ² (mm ²)	0.0775 (50)	0.1419 (50)
Steel strength in shear ⁵	V_{sa}^{10}	lb (kN)	ASTM A36	770 (3.4)
		lb (kN)	ASTM A193, Grade B7	1,995 (8.9)
Reduction factor for steel strength ³	ϕ	-	0.60	
CONCRETE BREAKOUT STRENGTH IN SHEAR⁶				
Effective embedment	h_{ef}	in. (mm)	1.10 (28)	1.54 (39)
Load bearing length of anchor (h_{ef} or $8d_o$, whichever is less)	ℓ_e^{10}	in. (mm)	1.10 (28)	1.54 (39)
Critical edge distance	ϕ	-	3 (76)	4 (102)
Reduction factor for concrete breakout ³	ϕ	-	Condition B = 0.70	
PRYOUT STRENGTH IN SHEAR⁶				
Coefficient for pryout strength (1.0 for $h_{ef} < 2.5$ in., 2.0 for $h_{ef} \geq 2.5$ in.)	k_{cp}	-	1.0	2.0
Reduction factor for pryout strength ³	ϕ	-	Condition B = 0.70	
STEEL STRENGTH IN SHEAR FOR SEISMIC APPLICATIONS⁵				
Steel strength in shear, seismic	V_{eq}^{10}	lb (kN)	ASTM A36	770 (3.4)
		lb (kN)	ASTM A193, Grade B7	1,995 (8.9)
Reduction factor for steel strength ³	ϕ	-	Condition B = 0.60	
STEEL STRENGTH IN SHEAR FOR STRUCTURAL SAND-LIGHTWEIGHT AND NORMAL-WEIGHT CONCRETE OVER STEEL DECK⁸				
Steel strength in shear, concrete over steel deck ⁸	$V_{sa,deck}$	lb (kN)	ASTM A36	770 (3.4)
		lb (kN)	ASTM A193, Grade B7	1,995 (8.9)
Reduction factor for steel strength in shear concrete over stud deck	ϕ	-	Condition B = 0.60	

- The data in this table is intended to be used with the design provisions of ACI 318 Appendix D; for anchors resisting seismic load combinations the additional requirements of ACI 318 D.3.3 shall apply.
- Installation must comply with published instructions and details.
- All values of ϕ were determined from the load combinations of UBC Section 1605.2.1, UBC Section 1612.2.1, or ACI 318 Section 9.2. If the load combinations of UBC Section 1902.2 or ACI 318 Appendix C are used, the appropriate value of ϕ must be determined in accordance with ACI 318 D.4.5. For reinforcement that meets ACI 318 Appendix D requirements for Condition A, see ACI 318 D.4.4 for the appropriate ϕ factor.
- It is assumed that the threaded rod or bolt used with the Snake+ anchor will be a steel element as defined by ACI 318 D.1.
- Tabulated values for steel strength in shear must be used for design. These tabulated values are lower than calculated results using equation D-20 in ACI 318-08 (ACI 318-05) and ACI 318 D.6.1.2.
- Anchors are permitted to be used in structural sand-lightweight concrete in accordance with Section 4.1.11 of this report.
- Tabulated values for steel strength in shear are for seismic applications and based on test results in accordance with ACI 355.2 Section 9.6.
- Tabulated values for $V_{sa,deck}$ are for structural sand-lightweight concrete ($f'_{c,min} = 3,000$ psi) and additional lightweight concrete reduction factors need not be applied. In addition, evaluation for the concrete breakout capacity in accordance with ACI 318 D.6.2 and the pryout capacity in accordance with ACI 318 D.6.3 are not required for anchors installed in the deck soffit (flute).
- Shear loads for anchors installed through steel deck into concrete may be applied in any direction.
- For 2003 IBC, f_{ut} replaces f_u ; V_{sa} replaces V_s ; ℓ_e replaces ℓ ; and V_{eq} replaces $V_{s,seis}$.
- The notation in parenthesis is for the 2009 IBC.

Factored Design Strength (ϕN_n and ϕV_n) Calculated in Accordance with ACI 318-05 Appendix D:

- Tabular values are provided for illustration and applicable for single anchors installed in normal-weight concrete with minimum slab thickness, $h_a = h_{min}$, and with the following conditions:
 - c_{a1} is greater than or equal to the critical edge distance, c_{ac} (table values based on $c_{a1} = c_{ac}$).
 - c_{a2} is greater than or equal to $1.5 c_{a1}$.
- Calculations were performed according to ACI 318-05 Appendix D. The load level corresponding to the controlling failure mode is listed (e.g. For *tension*: steel, concrete breakout and pullout; For *shear*: steel, concrete breakout and pryout). Furthermore, the capacities for concrete breakout strength in tension and pryout strength in shear are calculated using the effective embedment values, h_{ef} , for the selected anchors as noted in the design information tables. Please also reference the installation specifications for more information.
- Strength reduction factors (ϕ) were based on ACI 318 Section 9.2 for load combinations. Condition B is assumed.
- Tabular values are permitted for static loads only, seismic loading is not considered with these tables.
- For designs that include combined tension and shear, the interaction of tension and shear loads must be calculated in accordance with ACI 318 Appendix D.
- Interpolation is not permitted to be used with the tabular values. For intermediate base material compressive strengths please see ACI 318 Appendix D. For other design conditions including seismic considerations please see ACI 318 Appendix D.



Tension and Shear Factored Design Strength for Snake+ in Cracked Concrete

Nominal Anchor Size (in.)	Nominal Embed. h_{nom} (in.)	Steel Insert Element (Threaded Rod or Bolt)	Minimum Concrete Compressive Strength, $f'c$ (psi)									
			2,500		3,000		4,000		6,000		8,000	
			ϕN_n Tension (lbs.)	ϕV_n Shear (lbs.)	ϕN_n Tension (lbs.)	ϕV_n Shear (lbs.)	ϕN_n Tension (lbs.)	ϕV_n Shear (lbs.)	ϕN_n Tension (lbs.)	ϕV_n Shear (lbs.)	ϕN_n Tension (lbs.)	ϕV_n Shear (lbs.)
3/8	1-5/8	ASTM A36	635	500	700	500	805	500	985	500	1,140	500
		ASTM A193 Grade B7	635	685	700	750	805	870	985	970	1,140	1,065
1/2	2-3/16	ASTM A36	1,490	1,195	1,635	1,195	1,885	1,195	2,310	1,195	2,665	1,195

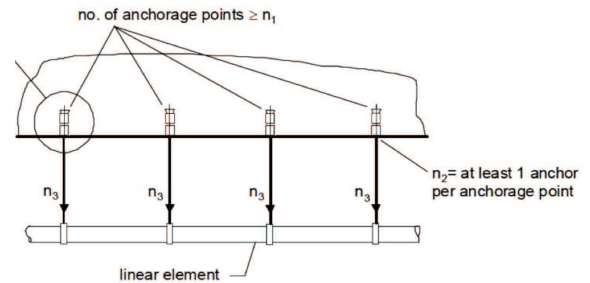
Tension and Shear Factored Design Strength for Snake+ in Uncracked Concrete

Nominal Anchor Size (in.)	Nominal Embed. h_{nom} (in.)	Steel Insert Element (Threaded Rod or Bolt)	Minimum Concrete Compressive Strength, $f'c$ (psi)									
			2,500		3,000		4,000		6,000		8,000	
			ϕN_n Tension (lbs.)	ϕV_n Shear (lbs.)	ϕN_n Tension (lbs.)	ϕV_n Shear (lbs.)	ϕN_n Tension (lbs.)	ϕV_n Shear (lbs.)	ϕN_n Tension (lbs.)	ϕV_n Shear (lbs.)	ϕN_n Tension (lbs.)	ϕV_n Shear (lbs.)
3/8	1-5/8	ASTM A36	900	500	985	500	1,140	500	1,395	500	1,610	500
		ASTM A193 Grade B7	900	970	985	1,060	1,140	1,080	1,395	1,080	1,610	1,080
1/2	2-3/16	ASTM A36	1,865	1,195	2,040	1,195	2,355	1,195	2,885	1,195	3,335	1,195

Legend Steel Strength Controls Concrete Breakout Strength Controls Anchor Pullout/Pryout Strength Controls

REDUNDANT FASTENING APPLICATIONS

For an anchoring system designed with redundancy, the load maintained by an anchor that experiences failure or excessive deflection can be transmitted to neighboring anchors without significant consequences to the fixture or remaining resistance of the anchoring system. In addition to the requirements for anchors, the fixture being attached shall be able to resist the forces acting on it assuming one of the fixing points is not carrying load. It is assumed that by adhering to the limits placed on n_1 , n_2 and n_3 below, redundancy will be satisfied.



Anchors qualified for redundant applications may be designed for use in normal weight and sand-lightweight cracked and uncracked concrete. Concrete compressive strength of 2,500 psi shall be used for design. No increase in anchor capacity is permitted for concrete compressive strengths greater than 2,500 psi. The anchor installation is limited to concrete with a compressive strength of 8,500 psi or less.

Redundant applications shall be limited to structures assigned to Seismic Design Categories A or B only.

Redundant applications shall be limited to support of nonstructural elements.

Strength Design (Redundant Fastening):

For strength design, a redundant system is achieved by specifying and limiting the following variables

n_1 = the total number of anchorage points supporting the linear element

n_2 = number of anchors per anchorage point

n_3 = factored load at each anchorage point, lbs., using load combinations from IBC Section 1605.2.1 or ACI 318 Section 9.2

STRENGTH DESIGN (SD)

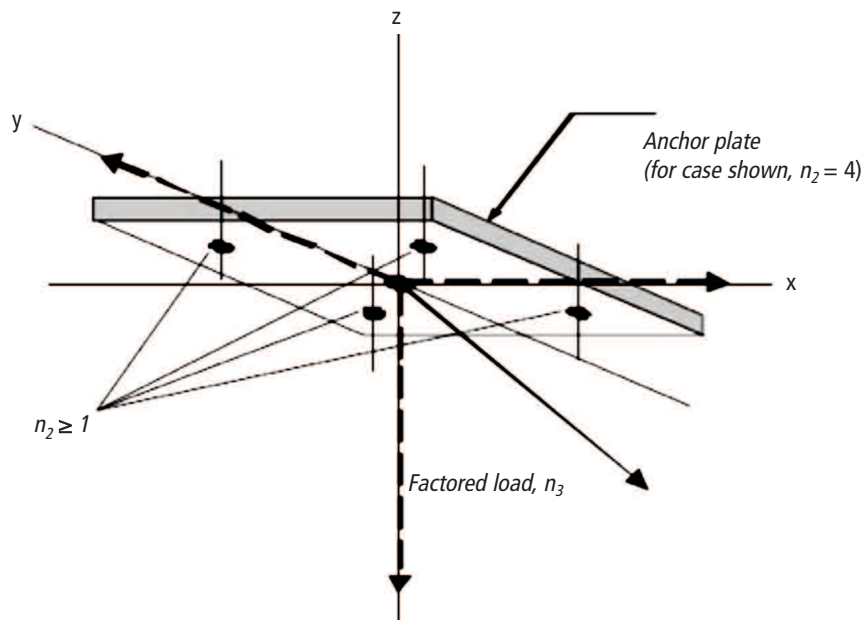
Design values for use with strength design shall be established taking $\phi_{ra} \cdot F_{ra}$.

See redundant fastening design information table for Snake+ design resistance.

Allowable Stress Design (Redundant Fastening):

Design values for use with allowable stress design shall be established taking $R_{d1}, ASD = \frac{\phi_{ra} \cdot F_{ra}}{\alpha}$

Where α is the conversion factor calculated as the weighted average of the load factors from the controlling load combination. The conversion factor, α is equal to 1.4 assuming all dead load.



Installation Table for Snake+ Screw Anchor in Redundant Fastening Applications

Anchor Property / Setting Information	Notation	Units	Nominal Anchor Size		
			1/4"	3/8"	1/2"
Nominal drill bit diameter	d_{bit}	in.	3/8" ANSI	1/2" ANSI	3/4" ANSI
Nominal embedment depth	h_{nom}	in. (mm)	1-5/8 (41)	1-5/8 (41)	2-3/16 (55)
Effective embedment	h_{ef}	in. (mm)	1.10 (28)	1.10 (28)	1.54 (39)
Minimum hole depth	h_o	in. (mm)	2 (51)	2 (51)	2-1/2 (64)
Minimum concrete member thickness	h_{min}	in. (mm)	3 (76.2)	3 (76.2)	3 (76.2)
Overall anchor length	l_{anch}	in. (mm)	1.10 (28)	1.10 (28)	1.54 (39)
Minimum edge distance redundant fastening ¹	$C_{min}=C_{ac}$	in. (mm)	4 (102)	4 (102)	4 (102)
Minimum spacing distance, redundant fastening ¹	s_{min}	in. (mm)	8 (203)	8 (203)	8 (203)
Maximum tightening torque	T_{max}	ft.-lb. (N-m)	4 (6)	14 (19)	36 (49)
Maximum impact wrench power (torque)	T_{screw}	ft.-lb. (N-m)	120 (163)	345 (468)	345 (468)

1. Tabulated minimum spacing and edge distances are applicable only for redundant fastening applications.

Redundant Fastening Design Information for Snake+ Anchors^{1,2,3}

Design Characteristic	Notation	Units	Nominal Anchor Size					
			1/4"	3/8"	1/2"			
Anchor category	1, 2 or 3	-	1	1	1			
Nominal embedment depth	h_{nom}	in (mm)	1 5/8 (41)	1 5/8 (41)	2 3/16 (55)			
CHARACTERISTIC STRENGTH (RESISTANCE) INSTALLED IN CONCRETE^{4,5}								
Resistance, cracked or uncracked concrete (2,500psi)	F_{ra}	lb (kN)	Number of anchorage points		Number of anchorage points			
			$n_1 \geq 4$	$n_1 \geq 3$	$n_1 \geq 4$	$n_1 \geq 3$	$n_1 \geq 4$	$n_1 \geq 3$
			550 (2.5)	360 (1.6)	675 (3.0)	450 (2.0)	675 (3.0)	450 (2.0)
Effective tensile stress area	ϕ_{ra}	-	0.65					
CHARACTERISTIC STRENGTH (RESISTANCE) FOR STRUCTURAL SAND-LIGHTWEIGHT AND NORMAL WEIGHT CONCRETE OVER STEEL DECK⁴								
Resistance, cracked or uncracked concrete over steel deck (2,500 psi)	F_{ra}	lb (kN)	Number of anchorage points		Number of anchorage points			
			$n_1 \geq 4$	$n_1 \geq 3$	$n_1 \geq 4$	$n_1 \geq 3$	$n_1 \geq 4$	$n_1 \geq 3$
			550 (2.5)	360 (1.6)	675 (3.0)	450 (2.0)	675 (3.0)	450 (2.0)
Strength reduction factor ³	ϕ_{ra}	-	0.65					

- The data in this table is intended to be used with the design provisions of this product; loads may be applied in any direction.
- Installation must comply with published instructions and details.
- All values of ϕ were determined from the load combinations of UBC Section 1605.2.1, UBC Section 1612.2.1, or ACI 318 Section 9.2.
- It is assumed that the threaded rod or bolt used with the Snake+ anchor has minimum specified properties as listed in the table above or an equivalent steel element.
- Anchors are permitted to be used in structural sand-lightweight concrete, provided the resistance value is multiplied by 0.6.


Ultimate Tension Load Capacities for Snake+ in Normal-Weight Uncracked Concrete^{1,2,3,4}

Anchor Diameter in. (mm)	Minimum Embedment Depth in. (mm)	Minimum Concrete Compressive Strength					
		$f'_c = 2,500$ psi (17.2 MPa)		$f'_c = 3,000$ psi (20.7 MPa)		$f'_c = 6,000$ psi (41.4 MPa)	
		Tension lbs. (kN)	Shear lbs. (kN)	Tension lbs. (kN)	Shear lbs. (kN)	Tension lbs. (kN)	Shear lbs. (kN)
1/4 (6.3)	1-5/8 (41)	2,130 (9.5)	1,045 (4.6)	2,335 (10.4)	1,045 (4.6)	-	-
3/8 (9.5)	1-5/8 (41)	2,165 (9.7)	1,045 (4.6)	2,370 (10.6)	1,045 (4.6)	3,190 (14.2)	1,045 (4.6)
1/2 (12.7)	2-3/16 (55)	5,590 (24.9)	2,050 (9.1)	6,125 (27.3)	2,050 (9.1)	7,425 (33.1)	2,050 (9.1)

1. Tabulated load values are for anchors installed in concrete. Concrete compressive strength must be at the specified minimum at the time of installation.

2. Ultimate load capacities must be reduced by a minimum safety factor of 4.0 or greater to determine allowable working load.

3. The tabulated load values are applicable to single anchors in uncracked concrete installed at critical spacing distance between anchors and at critical edge distance.

4. Ultimate shear capacity is controlled by steel strength of ASTM A36 element (or equivalent).

ORDERING INFORMATION
Carbon Steel Snake+ Screw Anchor

Cat. No.	Anchor Size	Embedment	Internal Thread Depth	Std. Box	Std. Ctn.
6400SD	1/4"	1-5/8"	11/32"	100	1,000
6401SD	3/8"	1-5/8"	23/32"	50	500
6403SD	1/2"	2-1/2"	15/16"	50	300


Setting Tool for Snake+ Screw Anchor

Cat. No.	Anchor Size	Std. Ctn.
6402SD	1/4"	1
6407SD	3/8"	1
6404SD	1/2"	1

