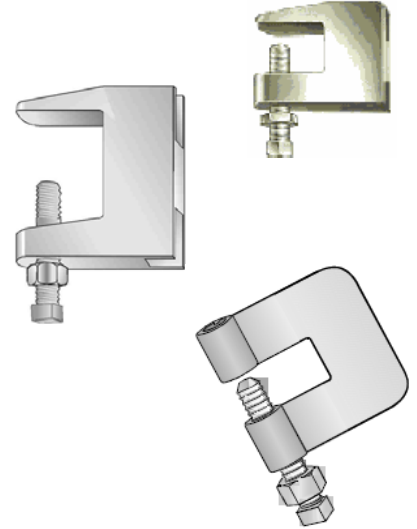


Beam Clamps and Riser Clamps

Beam Clamps and Steel "C" Clamps

Item #	Description	Size	Finish
GL-105-101-USA	Domestic Top Beam Clamp	5/8"	Plain
GL-105-201-USA	Domestic Top Beam Clamp	5/8"	Plated
GL-106-201-USA	Domestic Top Beam Clamp	3/4"	Plated
GL-107-201-USA	Domestic Top Beam Clamp	7/8"	Plated
GL-113-101-USA	Domestic Wide Mouth Beam Clamp	3/8"	Plain
GL-113-201-USA	Domestic Wide Mouth Beam Clamp	3/8"	Plated
GL-114-101-USA	Domestic Wide Mouth Beam Clamp	1/2"	Plain
GL-114-201-USA	Domestic Wide Mouth Beam Clamp	1/2"	Plated
GL-203-101-USA	Domestic Steel "C" Clamp w/ Nut	3/8"	Plain
GL-203-201-USA	Domestic Steel "C" Clamp w/ Nut	3/8"	Plated
GL-204-101-USA	Domestic Steel "C" Clamp w/ Nut	1/2"	Plain
GL-204-201-USA	Domestic Steel "C" Clamp w/ Nut	1/2"	Plated



**CALL
FOR
PRICES**

Riser Clamps



Item #	Description	Size	Finish
EM-50B0200	Riser Clamp	2"	Plain
EM-50B0300	Riser Clamp	3"	Plain
EM-50B0400	Riser Clamp	4"	Plain
EM-50B0600	Riser Clamp	6"	Plain
EM-50G0200-USA	Riser Clamp	2"	Plated
EM-50G0300-USA	Riser Clamp	3"	Plated
EM-50G0400-USA	Riser Clamp	4"	Plated
EM-50G0600-USA	Riser Clamp	6"	Plated
EM-50G0800-USA	Riser Clamp	8"	Plated

DRIVEKORE

101 Wesley Drive • Mechanicsburg, PA 17055 • Phone: (717) 766-7636 • Toll-Free (800) 382-1311
 Fax: (717) 697-7477 • Toll-Free Fax: (800) 739-1101 • Email: orders@DriveKore.com

www.DriveKore.com